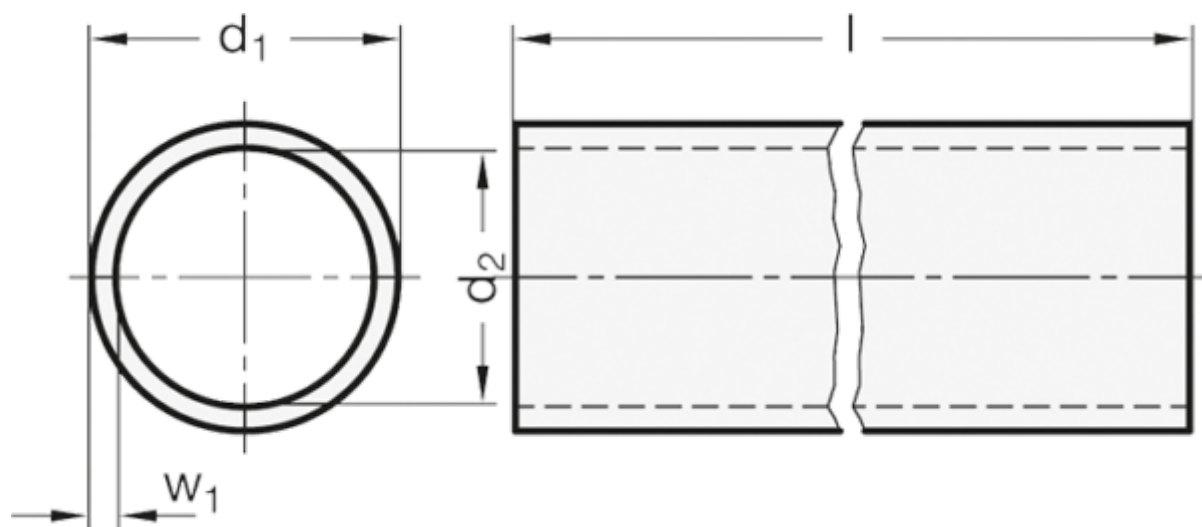


Article number: 20990NID12500BL

Description: E+G GN 990 Construction tube round
GN 990-NI-D12-500-BL

Measures



d_1 = D12 -0.2

d_2 = 9

$l \pm 0.5$ = 500

w_1 = 1.5

Weight in (g) = 200